

# PRO GRADE

ERIEZ

## Magnetic Separators





# PLATE MAGNETS

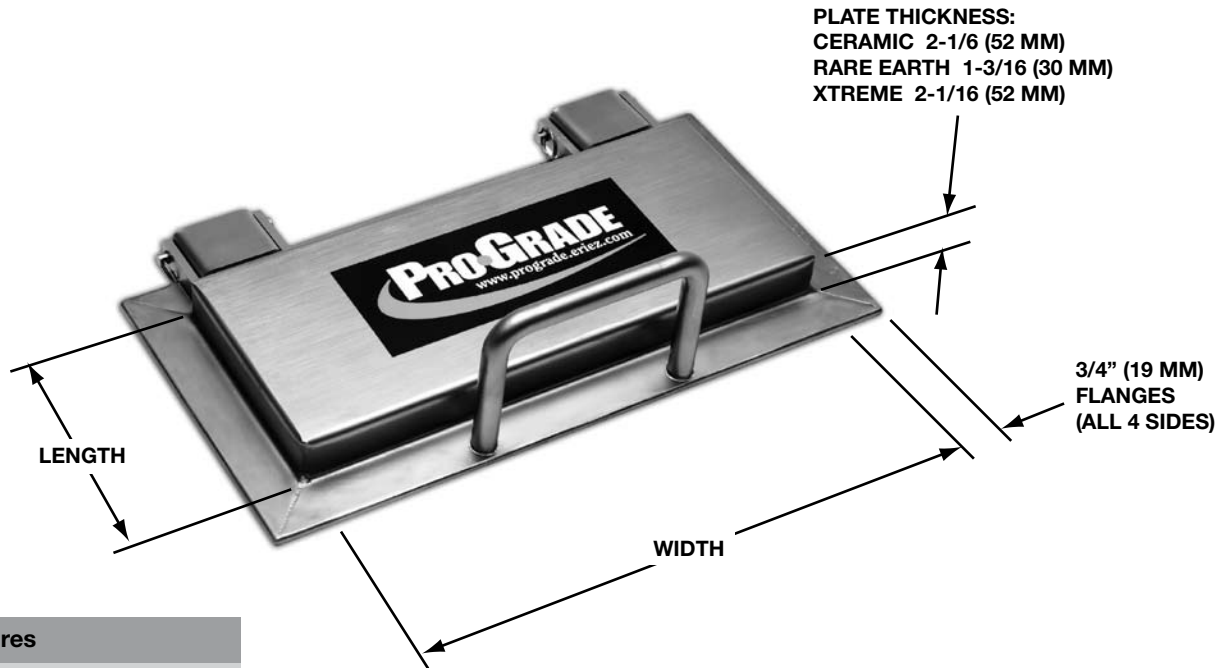


PLATE THICKNESS:  
**CERAMIC 2-1/6 (52 MM)**  
**RARE EARTH 1-3/16 (30 MM)**  
**XTREME 2-1/16 (52 MM)**

## Standard Features

- All stainless steel construction
- Smooth face with hinges (Ceramic magnets)
- Milled 400 SS step face with hinges (Rare Earth and Xtreme RE)
- Glass bead surface finish
- Sanitary finish (Rare Earth and Xtreme RE)



Eriez Permanent Plate Magnets, the workhorses of magnetic separation, provide dependable and economical solutions to problems associated with tramp iron contamination in processing lines. Plate Magnets installed in chutes, spouts, ducts, pipes, or suspended over conveyors remove tramp iron to help prevent costly shutdowns associated with machinery damage... prevent spark-caused fires and explosions... prevent product contamination and improve product purity.

## CERAMIC

Width		Length		Part No.	Price
in	mm	in	mm		
6	152	7-5/8	194	135711P	\$248
8	203	7-5/8	194	135667P	\$278
10	254	7-5/8	194	135712P	\$300
12	305	7-5/8	194	135668P	\$312
16	406	7-5/8	194	135713P	\$403
20	508	7-5/8	194	135714P	\$493
24	610	7-5/8	194	135715P	\$608

## RARE EARTH

Width		Length		Part No.	Price
in	mm	in	mm		
6	152	5-1/2	140	129906P	\$586
8	203	5-1/2	140	129908P	\$778
10	254	5-1/2	140	129910P	\$890
12	305	5-1/2	140	129912P	\$1,011
14	356	5-1/2	140	129914P	\$1,158

## XTREME RARE EARTH

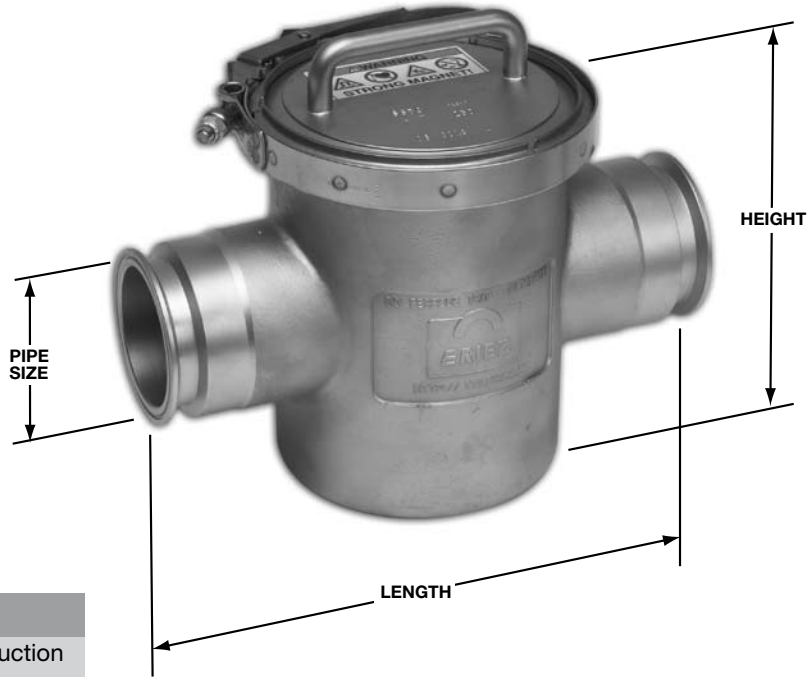
Width		Length		Part No.	Price
in	mm	in	mm		
6	152	5-1/2	140	135283P	\$1,123
8	203	5-1/2	140	135285P	\$1,412
10	254	5-1/2	140	135287P	\$1,621
12	305	5-1/2	140	135289P	\$1,853
14	356	5-1/2	140	135291P	\$2,123

Prices in US dollars.  
 All prices and specifications are subject to change without notice.

Order on-line at <https://www.eriez.com/products/prograde/>  
 or call us at (888) 777-3743

# FERROUS TRAPS

## MODEL B



### Standard Features

- All 316 stainless steel construction
- Cast body
- Pressure up to 150 psi
- Glass bead surface finish
- Ferrule units sanitary construction
- For product and CIP temperatures up to 250° F



These powerful permanent magnetic traps provide protection for liquid lines and sensitive processing equipment such as pumps. They preserve product purity by removing small particles of magnetic scale, rust and fine iron contamination.

The magnetic element, consisting of a group of magnetic tubes, is arranged to cause the material flow entering the body to impinge against the tubes and filter through the magnetic field, completely covering the open area. This arrangement takes advantage of the material change in direction and the difference in inertia between the unwanted iron and the material carrying it. The magnetic circuit is designed so the entrapped iron will have a tendency to work around and cling to the down-stream side of the tubes...this action prevents iron particles from being washed off by the continuous flow of material.

### RARE EARTH

Pipe Size		Length		Height		Sanitary Design	Ports	Part No.	Price
in	mm	in	mm	in	mm				
2	51	11	279	7-1/16	179	No	NPT	132635	\$1,380
2	51	11	279	7-1/16	179	Yes	Ferrule	132636	\$2,529
3	76	12	305	9-7/8	251	No	NPT	132637	\$2,163
3	76	12	305	9-7/8	251	Yes	Ferrule	132638	\$2,894
4	102	15	381	10-5/8	270	No	NPT	132639	\$3,059

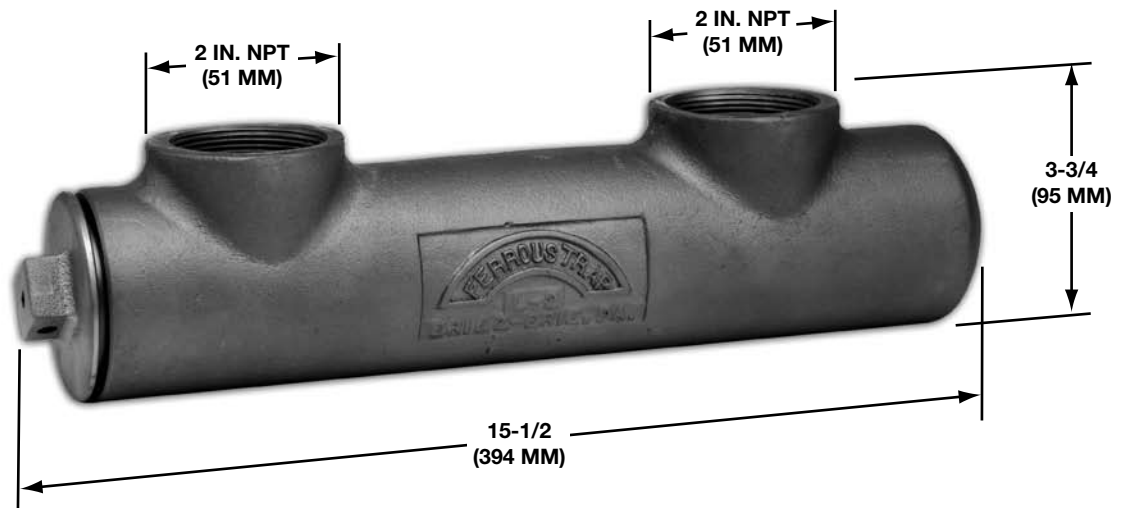
### XTREME RE

Pipe Size		Length		Height		Sanitary Design	Ports	Part No.	Price
in	mm	in	mm	in	mm				
2	51	11	279	7-1/16	179	No	NPT	134910P	\$1,646
2	51	11	279	7-1/16	179	Yes	Ferrule	134911P	\$3,009
3	76	12	305	9-7/8	251	No	NPT	134912P	\$2,580
3	76	12	305	9-7/8	251	Yes	Ferrule	134913P	\$3,449
4	102	15	381	10-5/8	270	No	NPT	134914P	\$3,634

Prices in US dollars.  
All prices and specifications are subject to change without notice.

Order on-line at <https://www.eriez.com/products/prograde/>  
or call us at (888) 777-3743

## MODEL L



### Standard Features

- 2-inch NPT Ports
- Cast bronze body
- Single-tube magnetic element
- Pressure up to 150 psi



This Ferrous Trap model has been designed to serve as an effective, low-cost, magnetic pipeline trap where operating conditions are not too severe. This unit is of nonsanitary cast bronze construction capable of withstanding pressures up to 150 psi (10.5 kg/sq cm). It is built for 2-inch (51 mm) pipelines; standard reducers can be used to adapt it to lines as small as 1/2-inch (13 mm).

### CERAMIC

Size		Part No.	Price
in	mm		
2	51	135716P	\$600

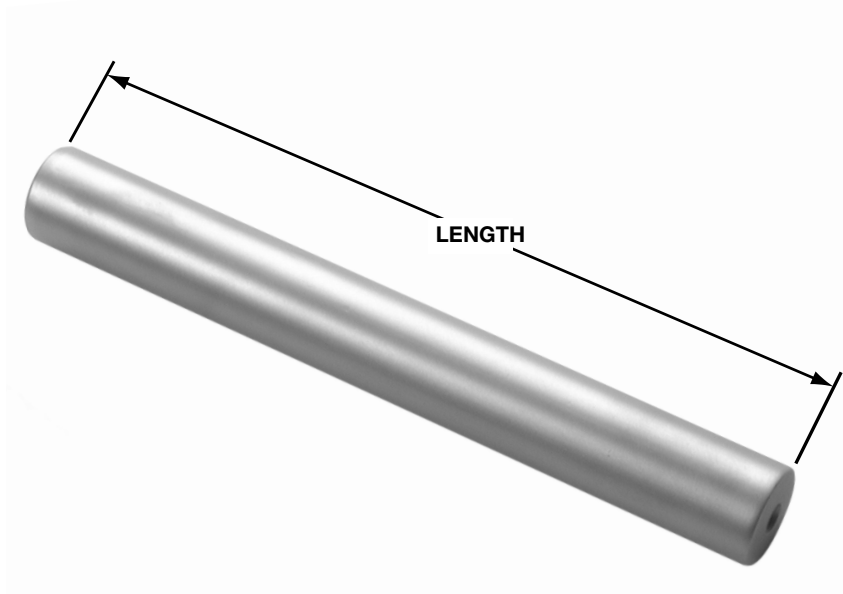
### RARE EARTH

Size		Part No.	Price
in	mm		
2	51	135707P	\$1,077

Prices in US dollars.  
All prices and specifications are subject to change without notice.

Order on-line at <https://www.eriez.com/products/prograde/>  
or call us at (888) 777-3743

# TUBE MAGNETS



## Standard Features

- 1-inch diameter
- Continuously welded
- 316L stainless steel
- 1/4-20 tapped end plugs
- Glass bead surface finish



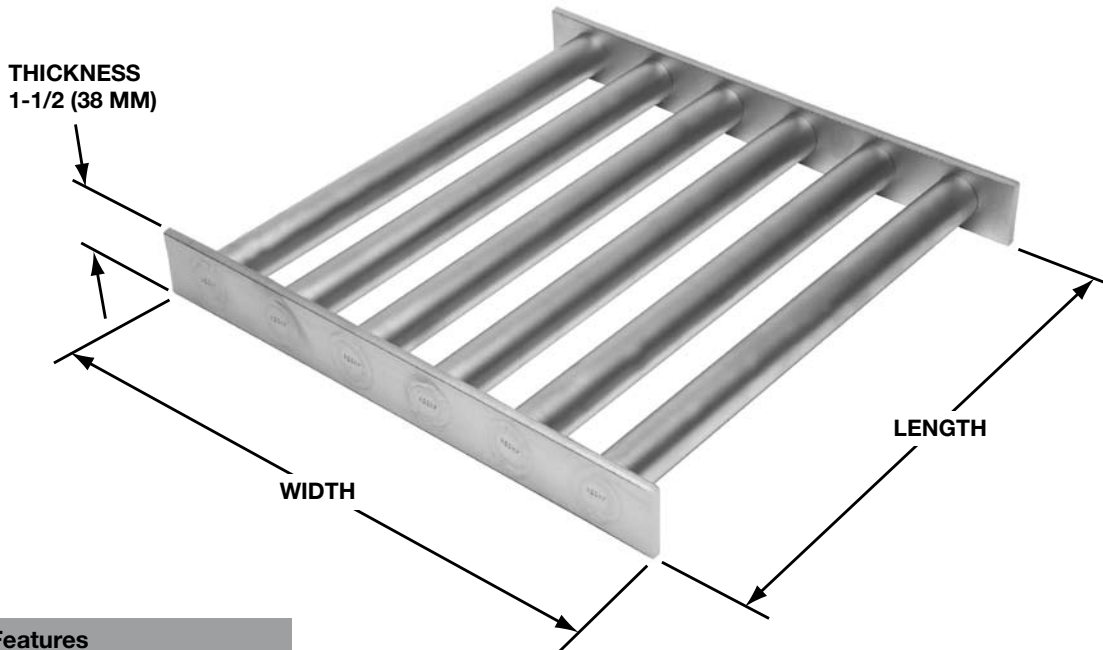
Individual magnetic tubes, one-inch (25 mm) in diameter and from 4 inches (100 mm) up to 24 inches (610 mm) long, can be used to remove ferrous contaminants from liquids in tanks, as a quality control check of dry bulk materials and in many other ways where a powerful, portable magnetic power source is needed. All magnetic tubes are available with 1/4-20 UNC drilled and tapped end plugs.

Length		Ceramic		Rare Earth		Xtreme RE	
in	mm	Part No.	Price	Part No.	Price	Part No.	Price
4	102	135708P	\$26	126734P	\$119	141001P	\$138
6	152	133640P	\$29	132640P	\$149	141006P	\$173
8	203	133642P	\$32	126725P	\$195	141008P	\$227
10	254	133644P	\$36	126728P	\$232	141010P	\$271
12	305	133646P	\$38	126727P	\$256	141012P	\$302
14	356	133648P	\$43	133567P	\$261	--	--
16	406	134057P	\$45	130919P	\$285	141116P	\$498
18	457	134059P	\$48	130920P	\$368	--	--
20	508	135709P	\$54	140820P	\$398	141120P	\$574
22	559	135710P	\$77	135684P	\$414	--	--
24	610	140764P	\$84	126748P	\$446		

Prices in US dollars.  
All prices and specifications are subject to change without notice.

Order on-line at <https://www.eriez.com/products/prograde/>  
or call us at (888) 777-3743

## SQUARE & RECTANGULAR



### Standard Features

- All stainless steel construction
- “Ladder” style design
- 1-inch dia. tubes on 2-inch centers
- Sanitary construction (Xtreme only)
- Glass bead surface finish



Square and rectangular permanent magnetic Grate Magnets remove ferrous contamination in hoppers, chutes, floor openings and other areas where free flowing materials are present. These grate magnets are also constructed to fit square and odd-shaped hoppers. The all-stainless steel unit is installed by simply placing the grate in the hopper with the ends of the magnetic tubes or tie bars resting against the sides.

### CERAMIC

Width x Length		Part No.	Price
in	mm		
6 x 6	152 x 152	135717P	\$48
8 x 8	203 x 203	135665P	\$78
10 x 6	254 x 152	135718P	\$75
10 x 10	254 x 254	135719P	\$125
12 x 8	305 x 203	135720P	\$123
12 x 12	305 x 305	135669P	\$161
16 x 12	406 x 305	135721P	\$255
14 x 14	356 x 356	135722P	\$256

### RARE EARTH

Width x Length		Part No.	Price
in	mm		
6 x 6	152 x 152	135677P	\$380
8 x 8	203 x 203	135663P	\$618
10 x 6	254 x 152	135678P	\$563
10 x 10	254 x 254	135664P	\$800
12 x 8	305 x 203	135679P	\$715
12 x 12	305 x 305	135680P	\$1,133
16 x 12	406 x 305	135682P	\$1,475
14 x 14	356 x 356	135683P	\$1,722

### XTREME RE

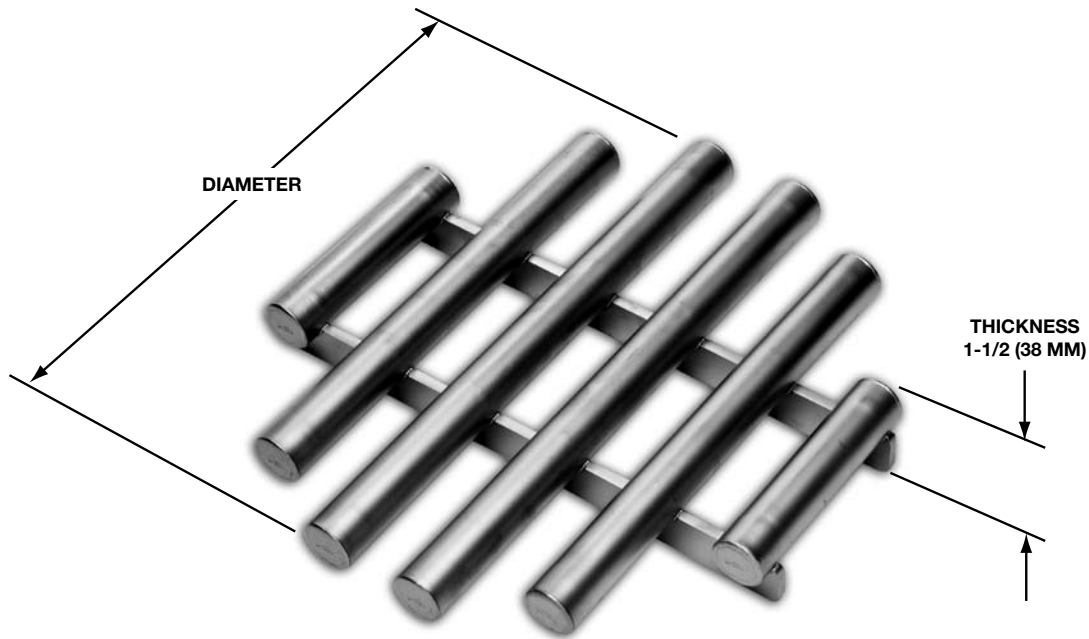
Width x Length		Part No.	Price
in	mm		
6 x 6	152 x 152	135672P	\$757
8 x 8	203 x 203	135670P	\$1,159
10 x 10	254 x 254	135673P	\$1,440
12 x 12	305 x 305	135671P	\$2,049
14 x 14	356 x 356	135674P	\$2,786

Prices in US dollars.  
All prices and specifications are subject to change without notice.

Order on-line at <https://www.eriez.com/products/prograde/>  
or call us at (888) 777-3743

# GRATE MAGNETS

## ROUND



### Standard Features

- All stainless steel construction
- “Ladder” style design
- 1-inch dia. tubes on 2-inch centers
- Sanitary construction (Xtreme only)
- Glass bead surface finish



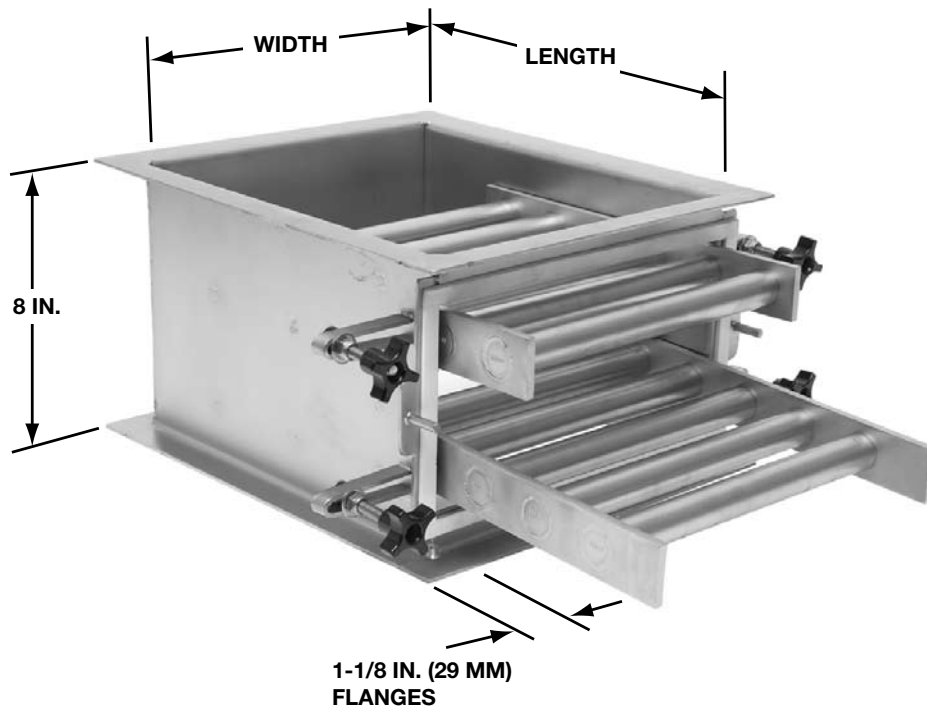
Round permanent magnetic Grate Magnets remove ferrous contamination in hoppers, chutes, floor openings and other areas where free flowing materials are present. These round grate magnets are constructed to fit, round, processing lines or hoppers. The all-stainless steel unit is installed by simply placing the grate in the hopper with the ends of the magnetic tubes or tie bars resting against the sides.

Diameter		Ceramic		Rare Earth		Xtreme RE	
in	mm	Part No.	Price	Part No.	Price	Part No.	Price
6	152	135685P	\$54	135687P	\$369	135686P	\$434
8	203	135694P	\$90	135688P	\$551	135689P	\$723
10	254	135692P	\$129	135690P	\$796	135691P	\$1,069
12	305	135696P	\$180	135695P	\$1,007	135697P	\$1,491
14	356	135699P	\$260	135698P	\$1,208	--	--
16	406	135701P	\$319	135700P	\$1,609	--	--
18	457	135703P	\$346	135702P	\$1,835	--	--
20	508	135705P	\$396	135704P	\$2,216	--	--

Prices in US dollars.  
All prices and specifications are subject to change without notice.

Order on-line at <https://www.eriez.com/products/prograde/>  
or call us at (888) 777-3743

## GRATE IN HOUSING



### Standard Features

- Two rows of staggered magnets
- Mild steel housing
- Removable door with plastic knobs



Tramp and fine iron removal in enclosed flow lines or at screen discharges is simplified by Eriez multi-bank units built into convenient housings. These separators have a slide-bolt door front which makes the magnetic tubes readily accessible for cleaning. Two rows of the most powerful ceramic tube magnets available in the industry provide the ultimate in magnetic protection.

### CERAMIC

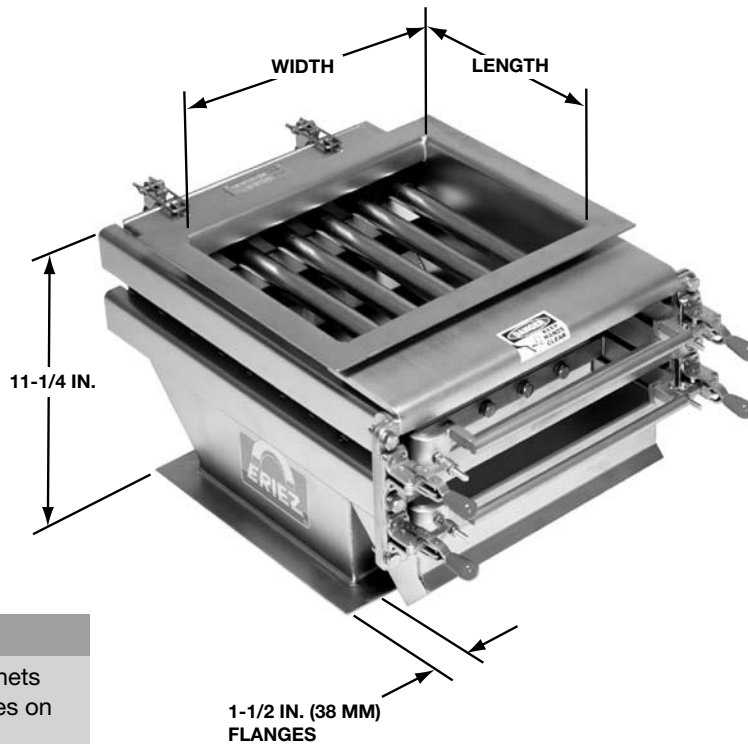
Width x Length		Part No.	Price
in	mm		
6-1/8 x 8-1/8	156 x 206	135723P	\$985
8-1/8 x 10-1/8	206 x 257	135724P	\$1,201
10-1/8 x 12-1/8	257 x 308	135725P	\$1,413

Prices in US dollars.  
All prices and specifications are subject to change without notice.

Order on-line at <https://www.eriez.com/products/prograde/>  
or call us at (888) 777-3743

# GRATE MAGNETS

## EASY TO CLEAN GRATE IN HOUSING



### Standard Features

- Two rows of staggered magnets
- 1-inch diameter magnet tubes on 2-inch centers
- Stainless steel tube scrapers
- Metal contaminant discharge chute
- All stainless steel construction
- Glass bead surface finish



The easy to clean rare earth grate in housing provides for the quick removal of accumulated fine iron contamination. Simply slide the individual door fronts from the housing and the accumulated metal contamination is scraped from the tube and discharges out the front of the housing. The cleaning cycle is reduced to only a few seconds with this push-pull operation.

### RARE EARTH

Width x Length		Part No.	Price
in	mm		
8.5 X 6	216 x 152	135706P	\$2,884
10.5 X 8	267 x 203	133816P	\$3,579
12.5 X 10	317 x 254	133828P	\$4,558

### XTREME RE

Width x Length		Part No.	Price
in	mm		
8.5 X 6	216 x 152	135675P	\$3,296
10.5 X 8	267 x 203	134929P	\$4,099
12.5 X 10	317 x 254	134940P	\$5,212

Prices in US dollars.  
All prices and specifications are subject to change without notice.

Order on-line at <https://www.eriez.com/products/prograde/>  
or call us at (888) 777-3743

# Eriez is Your Partner in Protection

Team up with Eriez, the industry experts, to defend against metal contamination. Whatever material handling challenge you are facing, we can help. Our products are your solution! Protect, Separate and Feed with Ease.



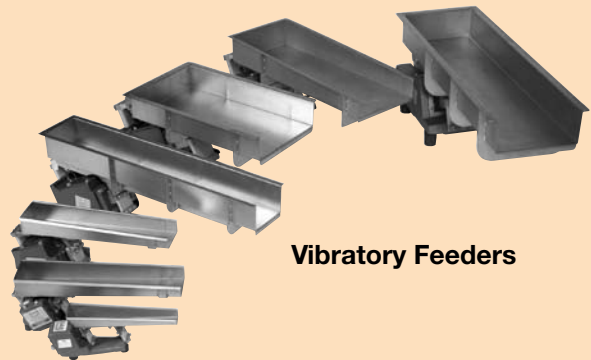
**E-Z Tec® DSP  
Metal Detector**



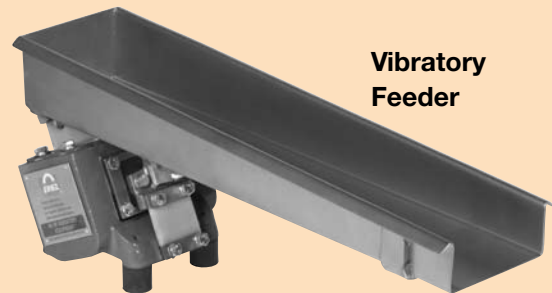
**E-Z Tec® VFC  
Metal Detector**



**Bin Vibrators**



**Vibratory Feeders**



**Vibratory  
Feeder**



**Vibratory Scener**



**Vibratory Feeder  
with Tube Tray**

# ONLY FROM ERIEZ



## STATE-OF-THE-ART ENGINEERING

Computerized systems help improve Eriez efficiency and services throughout the Company. The corporate engineering department's CAD and parametric design systems, with compatible systems in Eriez offices around the world, enables instant access to engineering drawings and information requests from any location. The same designs, drawings, and high quality standards are followed at all plant operations, so that no matter which Eriez manufacturing facility produces the equipment, Eriez customers are assured of quality on a worldwide basis. This is especially important to multinational users of Eriez equipment, who wish to standardize production lines through one supplier.

## THE ERIEZ TECHNICAL CENTER

Eriez maintains industry's largest magnetic, vibratory, and metal detection test laboratory at its Technical Center, adjacent to the headquarters plant, in Erie, Pennsylvania, USA. Here customer products and raw materials are analyzed confidentially and solutions to scan for metal contaminants, separate, move or screen them more efficiently and economically are then suggested. Feasibility and definitive metal detection studies are also conducted. Over 100 pieces of specialized test equipment are on hand. Customers are encouraged to participate in the testing. Basic materials separation and material movement test equipment is also available at Eriez affiliates worldwide.

## WORLD CLASS MANUFACTURING

Eriez maintains a global perspective through manufacturing facilities at its USA headquarters, as well as in Australia, Brazil, Canada, Japan, Mexico, South Africa and the United Kingdom. To maintain its world class position, Eriez reinvests its profits in modern manufacturing equipment, applied research and development, highly qualified engineering and design staff, and up-to-date testing facilities. Computerized order entry assures consistent quality and timely response on a worldwide basis. Eriez personnel teams reflect the same customer-oriented philosophy of "Right On Time" no matter where they are located.

*Note: Some safety warning labels or guarding may have been removed before photographing this equipment.*

Eriez and Eriez Magnetics are registered trademarks of Eriez Manufacturing Co., Erie, PA  
©2007 Eriez Magnetics • All Rights Reserved

**Web Site: <http://www.eriez.com>**

**e-mail: [eriez@eriez.com](mailto:eriez@eriez.com)**

Telephone 814/835-6000 • 800/345-4946 • Fax 814/838-4960 • International Fax 814/833-3348

HEADQUARTERS: 2200 Asbury Road, P.O. Box 10608, Erie, PA 16514-0608 U.S.A.

MANUFACTURING: Australia • Brazil • Canada • China • India • Japan • Mexico • South Africa • United Kingdom • United States

**World Authority in Advanced Technology for Magnetic, Vibratory and Inspection Applications**

507-2.5M-SBC-MC

